

Maintenance Instructions

PSK PORTAL 200-Z

Lubricate all hardware components as specified here with oil.

Use **only** clean and non-resinous grease or oil.



= **lubricate here**



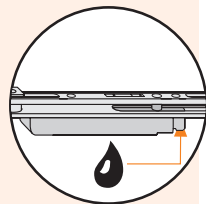
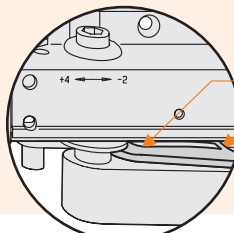
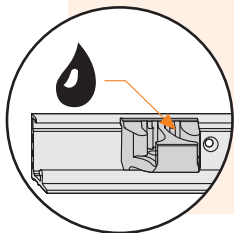
= **adjustable eccentric locking cams**



= **adjustable locking cams S-ES**



= **important areas for safety**



Druckstand: 0111/Ha/0,5

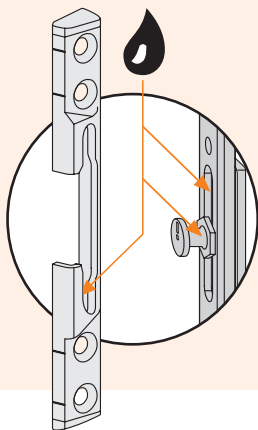
18172_3_11.01/0



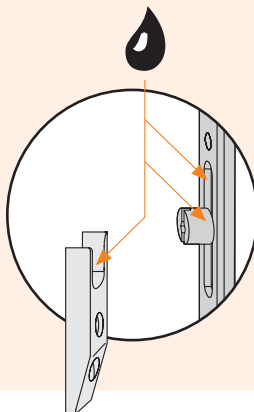
SIEGENIA®

Timber

Striker S-ES

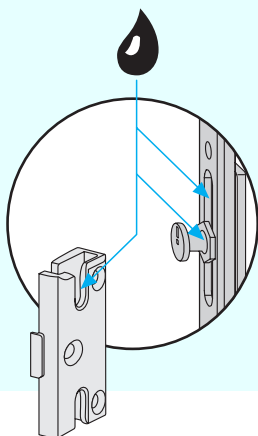


Striker 56

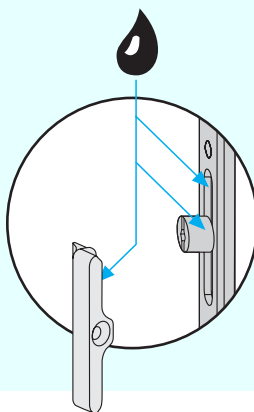


PVCu

Striker S-ES



Striker 56



Special Notes:

Your windows are fitted with high quality components from SIEGENIA. To ensure their smooth and trouble free operation you must carry out the following maintenance on them at least **once a year**:

1. Lubricate or oil all moving parts and locking points (🔑).
2. Use **only** clean and non-resinous grease or oil.
3. Check all important components (🔧) for looseness and wear. If necessary tighten fixing screws and replace defective parts.
4. **Only** clean your windows with a mild, neutral pH, diluted detergent. Never use aggressive, acid based detergents or scouring powder because they can damage the protective surface of your hardware.

To maintain the surface quality we recommend the following preventative measures:

5. After cleaning the hardware surface treat with a silicon and corrosion free (ie non-acidic) oil, eg: sewing machine oil.

Warning! The following work should only be performed by an experienced window tradesman:

- the replacement of fittings
- the assembly/dismantling of sliding sashes
- all adjustments of fittings

If you wish to paint or varnish your parallel tilt/slide fittings later, be sure that the fittings are **not** painted as well.

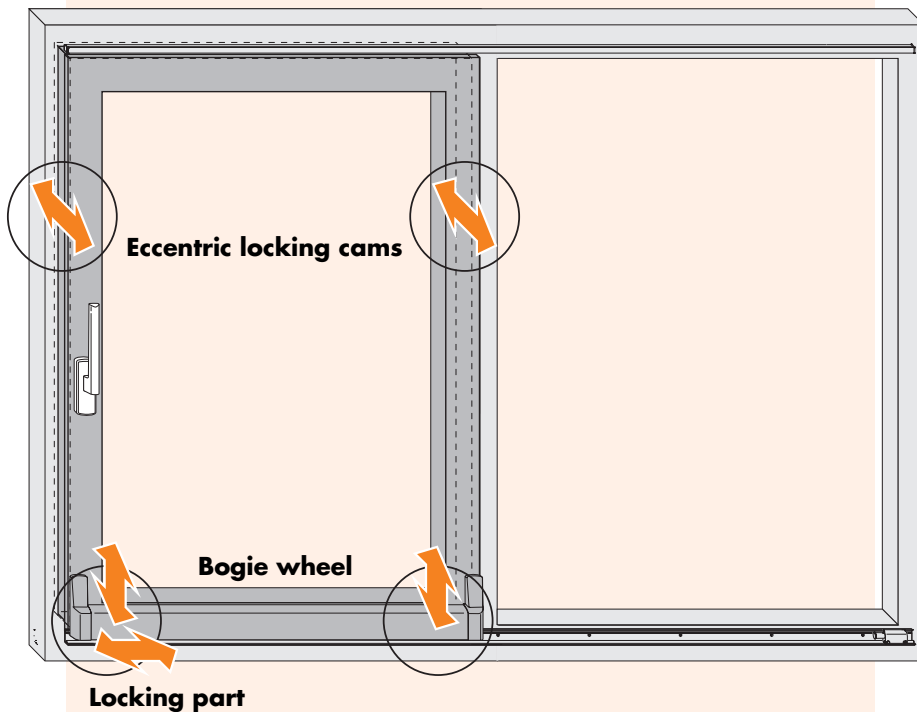
These maintenance instructions are also valid for other fittings and window types that are not mentioned here.

Your Window specialist:



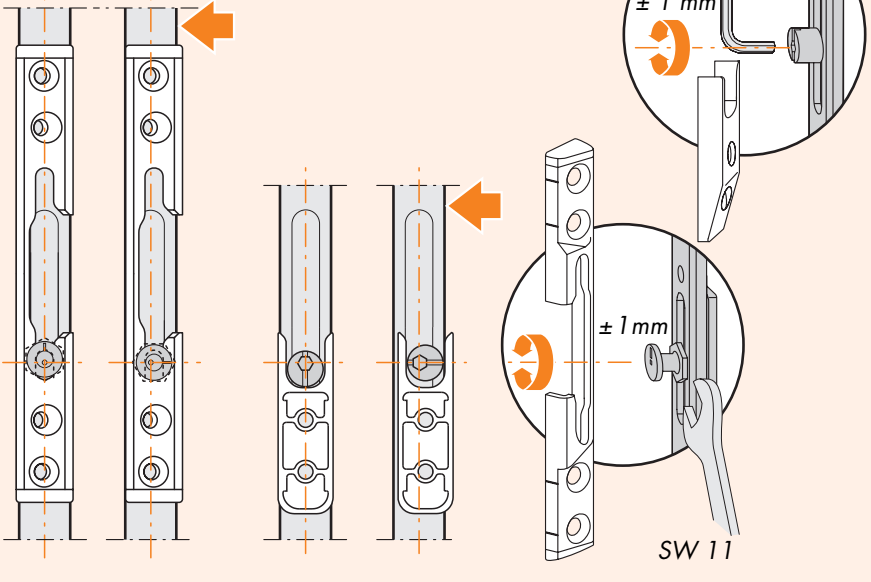
Adjustments

The following adjustments should **only** be performed by an experienced window tradesman:



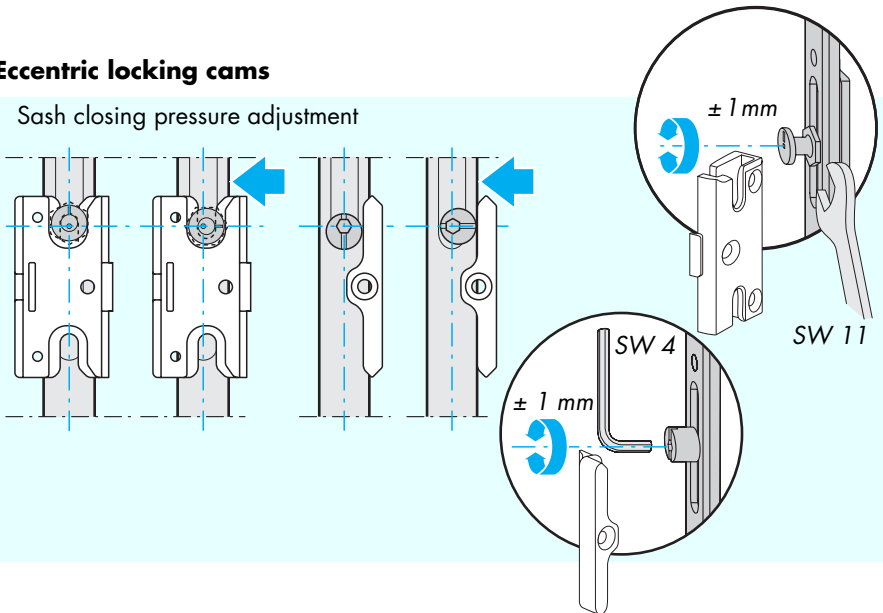
Eccentric locking cams

Sash closing pressure adjustment



Eccentric locking cams

Sash closing pressure adjustment



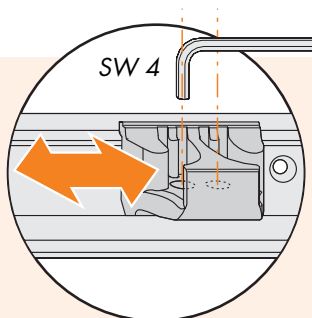
Adjustable Parts

Locking part

Side to side adjustment

to ensure the central run-in of the sash:

- loosen socket head screws
- move locking part to the side
- retighten socket head screws (max. 4,5 Nm)



Bogie wheel

raising



lowering

SW 8

Height adjustment, + 4 mm
- 2 mm

