

MILA GARANT **M-7** hardware for Scandinavian Windows



Well-known functions in new version

www.mila.lt



MILA

Quality & service | It's in our DNA

MILA GARANT

the Essential Advantages

Complete Hardware range for outwards opening windows in profiles with 7 x 12mm frame groove.

Ease of operation, in production as well as for the end user. Covers traditional Scandinavian window types – projecting top hung – top hung – projecting side hung – top swing and side swing. In combination with **MILA GARANT** espags and hinges in aluminium or steel, we offer a complete programme – with technical advice and service!

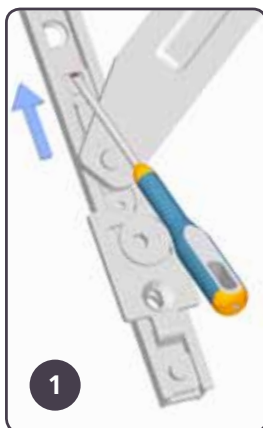
Technique:

- Surface treatment according to EN1670, Grade 5 (480 hours)
- Permissible frame weights as far as possible adapted to triple glazing
- Function and cycle tested according to our requirements and current standards

Logistics:

- Simple handling and ordering
- Delivery from our warehouse when you need it and the quantities you need!

Flex-Fit function on projecting top hung (Patent Pend.)



The Flex-Fit function enables you to mount frame and sash separately, and to install frame and sash separately on the building site.

Hardware for Projecting tophung Windows



Flex-Fit function (Patent Pend.)

Possibility for separate mounting on frame and sash. Windows may be installed by a single person!

Advantages for you and your customers!

- 4 sizes + version with double friction.
- Sash heights from 273 – 1530mm
- Sash weights up to 100kg.
- Height adjustment +/- 1,5mm

Hardware for Projecting sidehung Windows

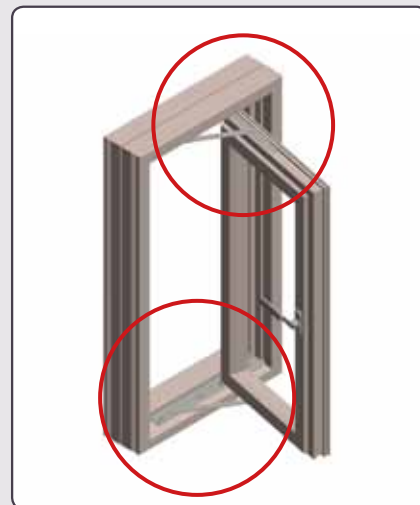
"Sidehung"

– No visible hinges, with build in
cleaning position.

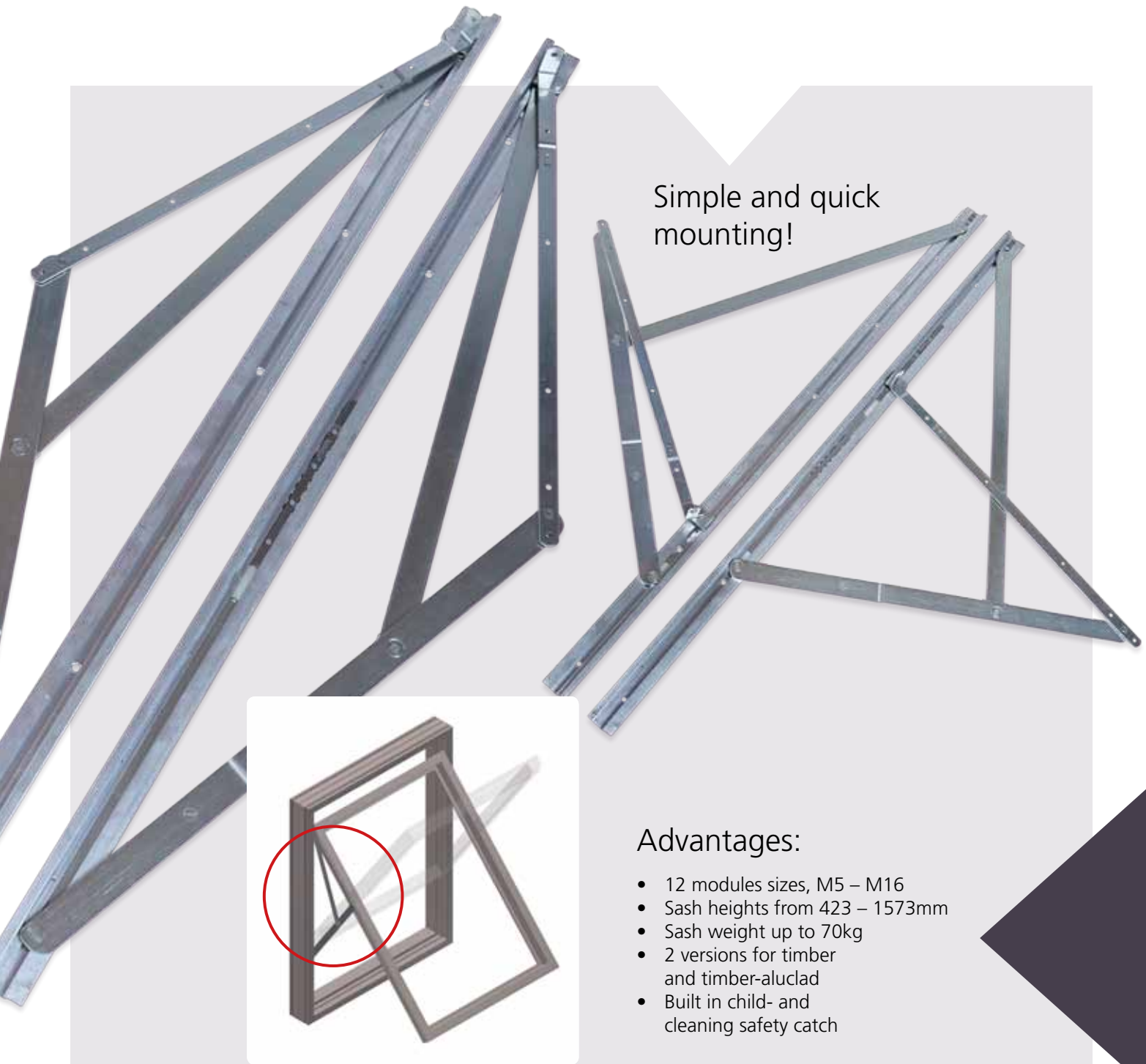


Advantages:

- Sash width up to 800mm
- Sash weight up to 60kg
- Side adjustment +/- 1,5mm
- 110mm "cleaning opening" in hinge side with full opening.
- 2 versions, with flat or angled bottom frame.



Topswing hardware for Fully Reversible Windows



Simple and quick mounting!

Advantages:

- 12 modules sizes, M5 – M16
- Sash heights from 423 – 1573mm
- Sash weight up to 70kg
- 2 versions for timber and timber-aluclad
- Built in child- and cleaning safety catch

Sideswing Hardware for Reversible Windows

Hardware for traditional window with modern functionality!



Advantages:

- 3 module sizes
- Sash width up to 822mm
- Sash weight up to 45kg.
- 2 versions with flat or angled bottom frame
- Built in child- and cleaning safety catch

Accessories

Gør programmet komplet



Run up blocks
Cavity fittings

Friction Brakes
for sash widths
from 320 – 920mm



Concealed top hinges
for top hung windows

Restrictor / Safety catch



We develop, source and distribute hardware solutions, which makes windows and doors burglar resistant and well-functioning, and we do it to the agreed timing.



MILA BESLAG A/S

H C Ørsteds Vej 18
DK-3000 Helsingør
Tel.: +45 49139900
www.mila.dk

UAB MILA BALTICS

Kirtimy 59A
Lt-2028 Vilnius
Lithuania
Tel.: +370 52603200
www.mila.lt